



Installation instructions for cylinder-head gaskets

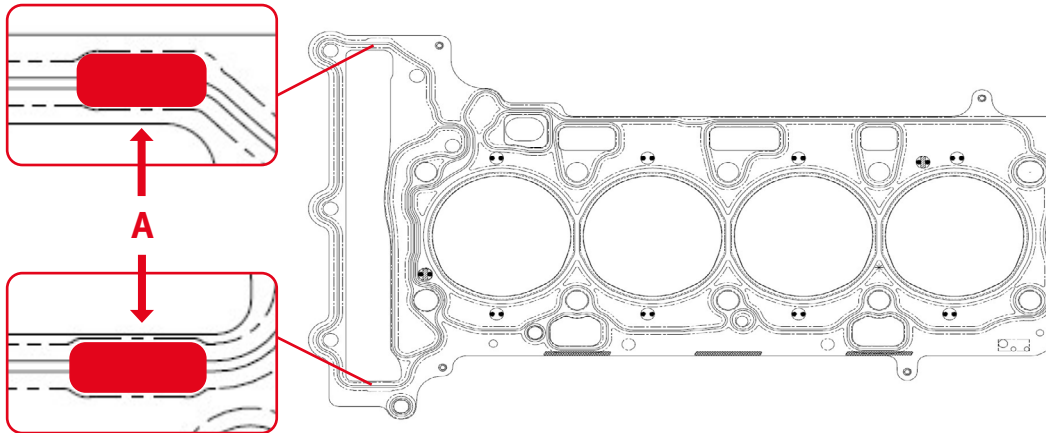
**076.360 | 076.370 | B30.160 | B30.170 |
B73.090 | B73.100**

Suitable for BMW | MINI | TOYOTA

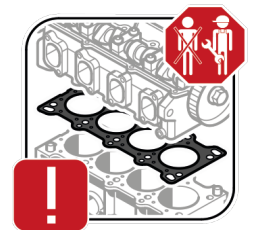
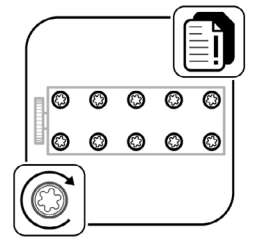
Available
soon

When installing the cylinder-head gaskets for BMW B48 inline four-cylinder petrol engines from model year 2014 onwards, ensure that a silicone bead is applied in specific areas of the gasket (so-called wet installation).

1. The surfaces for applying the sealant must be clean and free of residues.
2. Before installing the cylinder head gasket, apply **Elring – Das Original Dirko™ sealing compound** to the red-marked areas (A) within the wide screen-printed area on the gasket.
3. Install the cylinder-head gasket according to the specifications provided in the enclosed tightening instructions.



471.501 | 006.553



ElringKlinger AG | Aftermarket Division

Max-Eyth-Straße 2 | 72581 Dettingen/Erms | Germany

Phone +49 7123 724-799

service@elring.com | www.elring.com

TS1 07/2025



Das Original